

FS-9 Series Medical Foot Switches (IPx8)

Features

- Robust glass fiber reinforced plastics or zinc die cast body
- UL/CSA/CE/CCC approved
- Custom color/wiring available
- Alternative cover with custom legend markings available

Specifications

Operating Frequency	60 ops/min
Insulation Resistance	>100MΩ@500V DC
Contact Resistance	<25mΩ (initial)
Rated Current/Voltage	10A/250VAC
Dielectric Strength	1000VAC for 1 min between current carrying parts 2500VAC for 1 min between non-current carrying parts
Service Life	1 x10 ⁶ (operations)
Operating Temperature	-30~+80°C (-22~176°F)
Degree of Protection	IPX8(NEMA 4, 4X, 6, 6P)

Selection Guide:

FS-91	G	- 10	W	- M	- 8	F	- 18/3
Number of Pedals	Guard			Enclosure Type	Cable Length		Additional Wiring Information e.g. 18AWGx3
91: 1 Pedal	Blank: No guard			Blank: Fiber reinforced plastic			
92: 2 Pedals	G: Fully guarded			M: Zinc die cast			
						Blank: Meter(s)	
						F: Foot/feet	

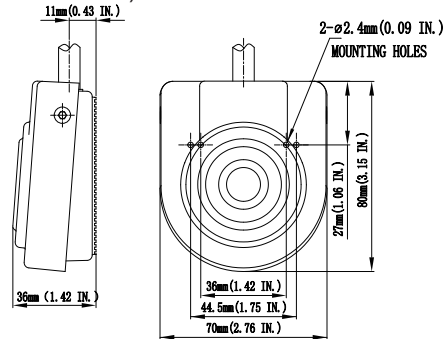
Dimensions:

* Standard pedal color: Black

FS-91-10W-8F-18/2-U (18AWGx2, 8ft, 1NO, plastic, cable diameter 7.5mm)
FS-91-10W-M-8F-18/3-U (18AWGx3, 8ft, 1NO, metal, cable diameter 7.5mm)



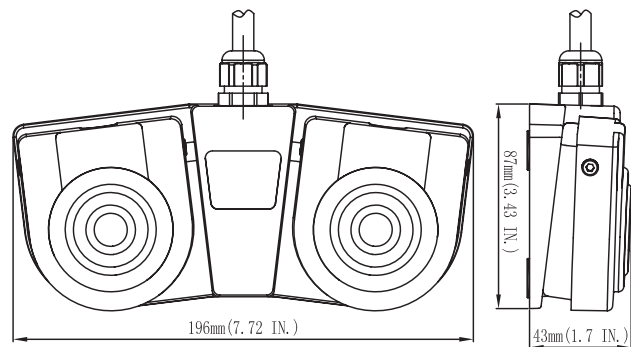
* Color code:(E.g.suffix:-U for blue)



FS-92-10W-8F-18/3-YU/B (18AWGx3, 8ft, 2x 1NO, plastic, cable diameter 7.8mm)

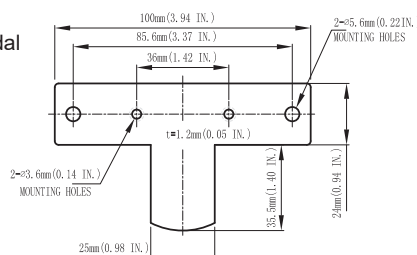


* Color code:(E.g.suffix:-YU/B for yellow/blue pedals on black base)



Options:

Mounting Plate for Single-Pedal
P/N: FS91-MP



Contact us for
Alternative Cover
with Legend Marking:

